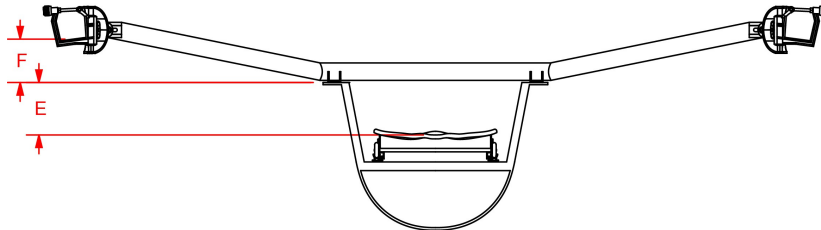
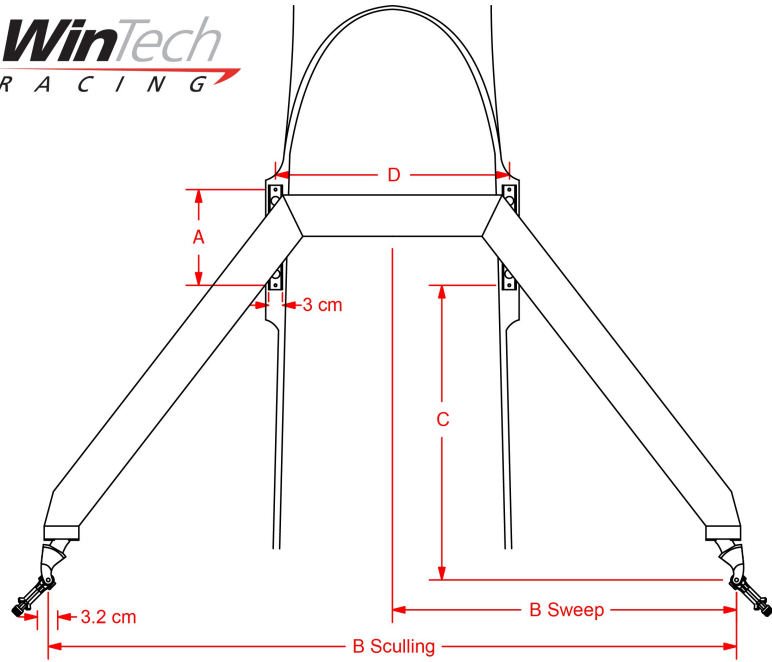


# Aluminum Bow Wing Rigger Ordering Guide

Rower/Team Name:	Order Date:
Avg. Crew Weight (Kg):	Boat Type:



A (bolt-bolt)	cm	D, 1 seat (bolt-bolt)	cm
B Scull (avg. span, +/-4.5cm)	cm	D, 2 (bolt-bolt)	cm
B Sweep (avg. spread, +/-2.5cm)	cm	D, 3 (bolt-bolt)	cm
C (pin-stern bolt)	cm	D, 4 (bolt-bolt)	cm
E (seat top-flange)	cm	D, 5 (bolt-bolt)	cm
F (flange-oarlock height)	cm	D, 6 (bolt-bolt)	cm
F is measured to the bottom inside of the oarlock at the desired avg. height.		D, 7 (bolt-bolt)	cm
		D, 8 (bolt-bolt)	cm